

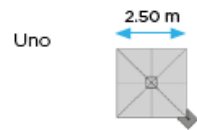




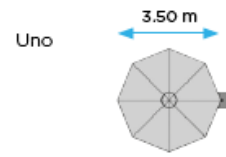
Specifications

Choose an umbrella which best suits the size of your garden or patio

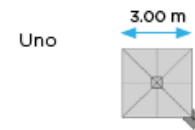
SQR



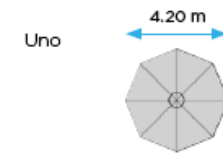
RND



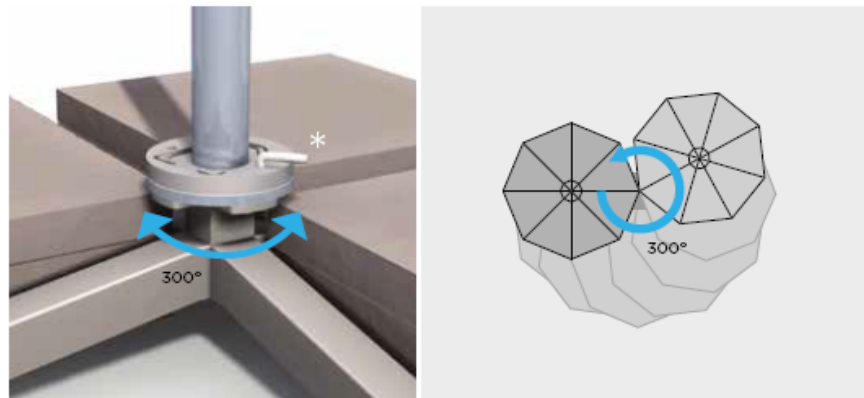
SQR XL



RND XL



The P7 rotates 300° to provide shade at each time of day

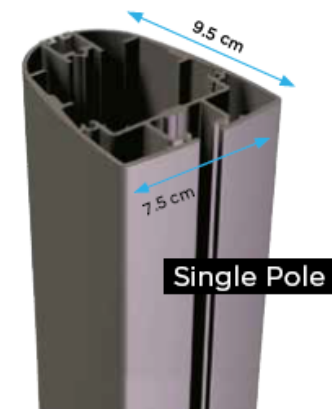


The integrated rotating element allows you to benefit from the shade at each time of day.

*The small axle locks the umbrella into place and prevents it from spinning with the wind.

Product video

Curious for more? Scan the QR code to view the product video on your smartphone or go to www.prostor.be.

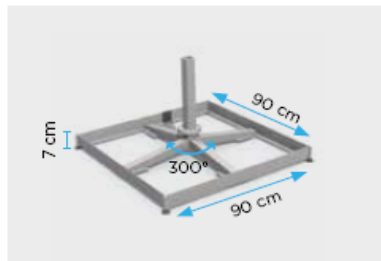




Fixation

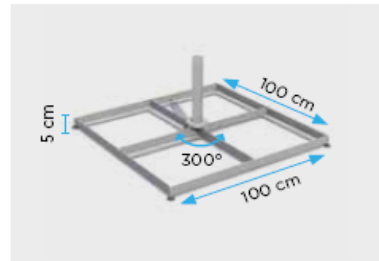
Ground or wall fixation, according to your preference

GROUND



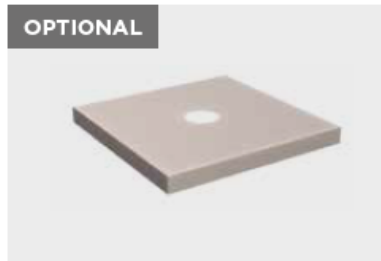
Steel base

With 8 tiles: 130 kg
 With 12 tiles: 185 kg
 Not suitable for the XL version
 Does not include tiles



Steel base

With 4 tiles: 115 kg
 With 8 tiles: 215 kg
 Does not include tiles

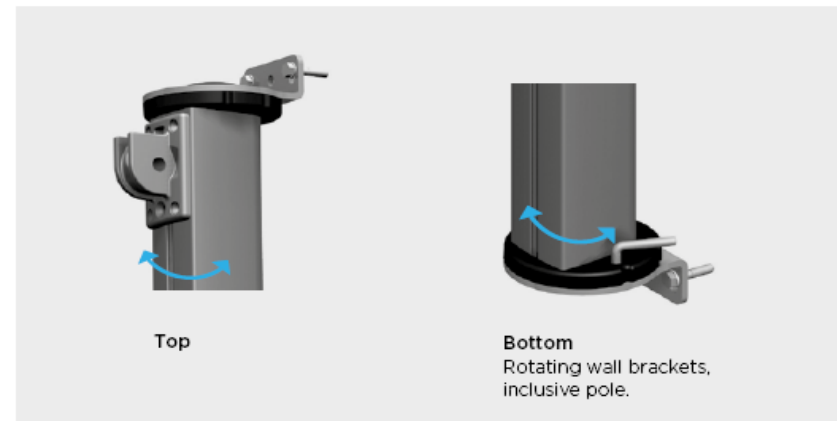
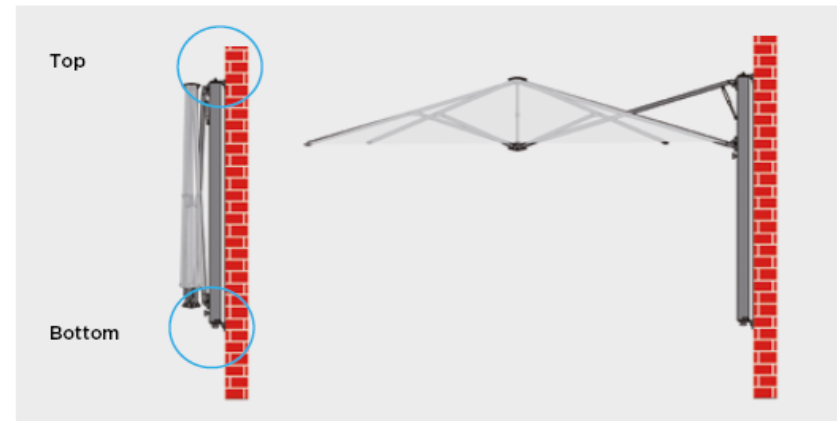


Stylish cover for steel base.



Ground anchor to secure into concrete, made from stainless steel and aluminum.

WALL



More info: see p. 13